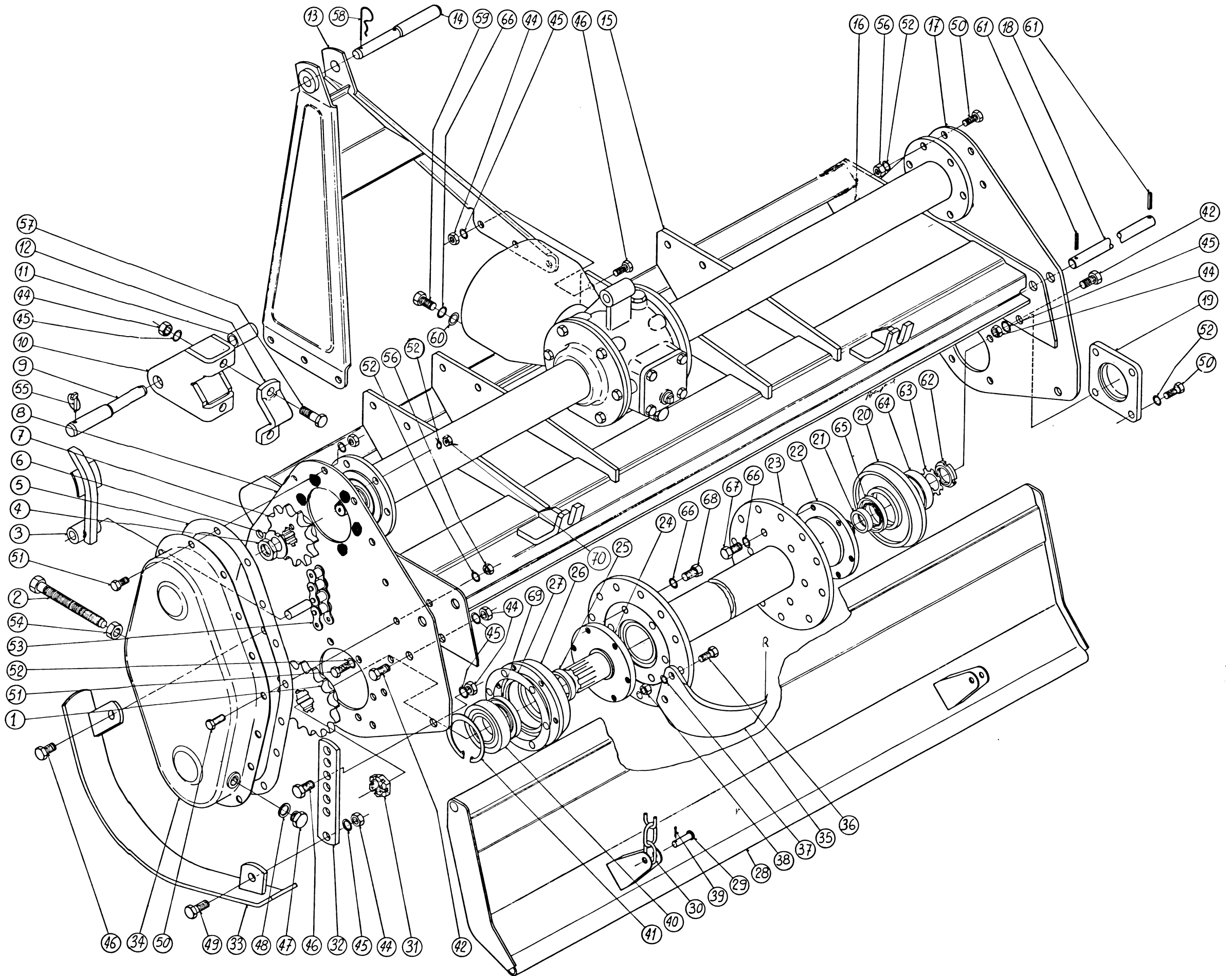


# FM



**FM: FRESATRICI-ROTARY TILLERS-FRAISES ROTATIVES-BODENFRÄSEN**  
**FM1100ASC - FM1300ASC - FM1500ASC - FM1700ASC**

FM							
RIF.	CODE	QTY	TYPE	DESCRIZIONE	DESCRIPTION	DESIGNATION	BESCHREIBUNG
1	BL01500	1	ALL FM	INGRANAGGIO	GEAR WHEEL	ROUE DENTEE	RITZEL
2	FL07400	1	ALL FM	VITE TENDICATENA	SCREW	VIS	SCHRAUBE
3	BL06000	1	ALL FM	TENDICATENA	CHAIN STRETCHER	TENDEUR DE CHAINE	KETTENSPELLER
4	BL01300	1	ALL FM	DADO	NUT	ECROU	MUTTER
5	BL07100	1	ALL FM	GUARNIZIONE	GASKET	JOINT	DICHTUNG
6	BL01400	1	ALL FM	RONDELLA DI SICUR.	WASHER	RONDELLE	SICHERUNGSSCHEIBE
7	BL01200	1	ALL FM	INGRANAGGIO	GEAR WHEEL	ROUE DENTEE	GETRIEBE
8	BL01110	1	ALL FM	PARETE SX	SHIELD LEFT	PAROI GAUCHE	SCHUTZBLECH SX
9	FL12700	2	ALL FM	PERNO	PIN	AXE	BOLZEN
10	BL09100	1	ALL FM	ATTACCO SX	SUPPORT	SUPPORT	HALTERUNG SX
	BL03500	1	ALL FM	ATTACCO DX	SUPPORT	SUPPORT	HALTERUNG DX
11	FL12900	2	ALL FM	TUBO	BUSH	DOUILLE D'ADAPT.	ROHR
12	BL03600	2	ALL FM	CAVALLOTTO	SUPPORT	SUPPORT	BÜGELBOLZEN
13	BL05900	1	ALL FM	CAVALLETTO	HITCH FRAME	CHEVALET	U-BÜGEL
14	FL13000	1	ALL FM	PERNO 3° PUNTO	TOP LINK PIN	TOURILLON 3° P.	VERBINDUNGSBOLZEN
15	BL03000	1	FM110	TELAIO	FRAME	CHASSIS	RAHMEN
	BL03100	1	FM130	TELAIO	FRAME	CHASSIS	RAHMEN
	BL03300	1	FM150	TELAIO	FRAME	CHASSIS	RAHMEN
	BL03200	1	FM170	TELAIO	FRAME	CHASSIS	RAHMEN
16	BL18200	1	ALL FM	TRASMISSIONE COMPL.	TRANSMISSION C.	TRANSMISSION C.	GETRIEBE KOMPLETT
17	BL03400	1	ALL FM	PARETE DX	SHIELD RINGT	PAROI DROITE	SCHUTZBLECH DX
18	BL04400	1	FM110	ASTA	AXLE	TRINGLE	ACHSE
	BL04500	1	FM130	ASTA	AXLE	TRINGLE	ACHSE
	BL04600	1	FM150	ASTA	AXLE	TRINGLE	ACHSE
	BL04700	1	FM170	ASTA	AXLE	TRINGLE	ACHSE
19	BL02900	1	ALL FM	COPERCHIO	COVER	COUVERCLE	ABDECKUNG
20	BL02700	1	ALL FM	SOPPORTO DX	SUPPORT	SUPPORT	HALTERUNG DX
21	BL02800	1	ALL FM	ANELLO	SHEET STELL	DISQUE	RING
22	BL02600	1	ALL FM	MOZZO	SUPPORT	SUPPORT	NABE
23	BL17300	1	TIPO A110	ROTORE	ROTOR	ROTOR	ROTOR
	BL17400	1	TIPO A130	ROTORE	ROTOR	ROTOR	ROTOR
	BL17500	1	TIPO A150	ROTORE	ROTOR	ROTOR	ROTOR
	BL17600	1	TIPO A170	ROTORE	ROTOR	ROTOR	ROTOR
24	BL01700	1	ALL FM	MOZZO SX	SUPPORT	SUPPORT	NABE SX
25	BL01900	1	ALL FM	ANELLO	SHEET STELL	DISQUE	RING
26	BL02000	1	ALL FM	SOPPORTO SX	SUPPORT	SUPPORT	HALTERUNG SX
27	BL07300	1	ALL FM	GUARNIZIONE	GASKET	JOINT	DICHTUNG
28	BL04000	1	FM110	CARTER OSCILLANTE	HOOD	CAPOT	BEW. KETTENGÄHÄUSE
	BL04100	1	FM130	CARTER OSCILLANTE	HOOD	CAPOT	BEW. KETTENGÄHÄUSE
	BL04200	1	FM150	CARTER OSCILLANTE	HOOD	CAPOT	BEW. KETTENGÄHÄUSE
	BL04300	1	FM170	CARTER OSCILLANTE	HOOD	CAPOT	BEW. KETTENGÄHÄUSE
29	FL03600	2	ALL FM	PERNO PER CATENA	PIN	AXE	KETTENBOLZEN
30	FL07300	2	ALL FM	CATENA PER CARTER	CHAIN	CHAINE	KETTE FÜR GEH.
31	1357	1	ALL FM	DADO SPECIALE	NUT	ECROU	SPEZIALMUTTER
32	BL06400	2	ALL FM	LAMA REGISTRAZIONE	ADJUSTING BAR	BARRE DE REG.	EINSTELLKLINGE
33	BL06100	1	ALL FM	PATTINO SX	SKID	LAME	KUFE SX
	BL06200	1	ALL FM	PATTINO DX	SKID	LAME	KUFE DX
34	BL01800	1	ALL FM	CARTER LATERALE	HOOD	CAPOT	SEITL. GEHÄUSE
35	FL17500	12	FM1100	ZAPPA SX TIPO A	BLADE	BECHE	HACKE SX TYP A
		15	FM1300	ZAPPA SX TIPO A	BLADE	BECHE	HACKE SX TYP A
		18	FM1500	ZAPPA SX TIPO A	BLADE	BECHE	HACKE SX TYP A
		21	FM1700	ZAPPA SX TIPO A	BLADE	BECHE	HACKE SX TYP A
	FL17400	12	FM1100	ZAPPA DX TIPO A	BLADE	BECHE	HACKE DX TYP A
		15	FM1300	ZAPPA DX TIPO A	BLADE	BECHE	HACKE DX TYP A
		18	FM1500	ZAPPA DX TIPO A	BLADE	BECHE	HACKE DX TYP A
		21	FM1700	ZAPPA DX TIPO A	BLADE	BECHE	HACKE DX TYP A
36	1632		ALL FM	VITE	SCREW	VIS	SCHRAUBE
37	1205		ALL FM	RONDELLA GROWER	WASHER	RONDELLE	U-SCHEIBE
38	1105		ALL FM	DADO	NUT	ECROU	MUTTER
39	1556	2	ALL FM	COPIGLIA	SPLIT PIN	GOUPILLE F.	SPLINT
40	1889	1	ALL FM	CUSCINETTO	BEARING	ROULEMENT	KUGELLAGER
41	1241	1	ALL FM	SEEGER	CIRCLIP	CIRCLIP	SEEGER-RING
42	1117	7	ALL FM	VITE	SCREW	VIS	SCHRAUBE
44	1103	23	ALL FM	DADO	NUT	ECROU	MUTTER
45	1224	23	ALL FM	RONDELLA SCHNORR	WASHER	RONDELLE	U-SCHEIBE SCHNORR
46	1117	10	ALL FM	VITE	SCREW	VIS	SCHRAUBE
47	1149	1	ALL FM	TAPPO	PLUG	BOUCHON	STOPFEN
48	1213	1	ALL FM	RONDELLA RAME	WASHER	RONDELLE	U-SCHEIBE (CU)
49	1101	2	ALL FM	VITE	SCREW	VIS	SCHRAUBE
50	1078	13	ALL FM	VITE	SCREW	VIS	SCHRAUBE
51	1098	20	ALL FM	VITE	SCREW	VIS	SCHRAUBE
52	1225	39	ALL FM	RONDELLA SCHNORR	WASHER	RONDELLE	U-SCHEIBE SCHNORR
53	1260	1	ALL FM	CATENA	CHAIN	CHAINE	KETTE
54	1104	1	ALL FM	DADO	NUT	ECROU	MUTTER
55	1611	4	ALL FM	SPINOTTO AUTOM.	LINK PIN	CLIPS	AUTOM. SPLINT
56	1080	23	ALL FM	DADO	NUT	ECROU	MUTTER
57	2010	4	ALL FM	VITE	SCREW	VIS	SCHRAUBE
58	1610	1	ALL FM	CLIPS	LINK PIN	CLIPS	KLIPS
59	1088	2	ALL FM	VITE	SCREW	VIS	SCHRAUBE
60	1229	2	ALL FM	RONDELLA	WASHER	RONDELLE	U-SCHEIBE
61	1383	2	ALL FM	SPINA ELASTICA	SPRING DOWEL	GOULLE ELASTIQ.	ELAST. SPLINT
62	1754	1	ALL FM	GHIERA	NUT	ECROU	GEWINDERING
63	1755	1	ALL FM	RONDELLA SICUREZZA	WASHER	RONDELLE	SICHERUNGSSCHEIBE
64	1890	1	ALL FM	CUSCINETTO	BEARING	ROULEMENT	KUGELLAGER
65	1531	1	ALL FM	ANELLO DI TENUTA	OIL SEAL	BAGUE D'ETANCHE	DICHTUNGSRING
66	1227	14	ALL FM	RONDELLA SCHNORR	WASHER	RONDELLE	U-SCHEIBE SCHNORR
67	1950	6	ALL FM	VITE	SCREW	VIS	SCHRAUBE
68	1099	6	ALL FM	VITE	SCREW	VIS	SCHRAUBE
69	1211	1	ALL FM	ANELLO DI TENUTA	OIL SEAL	BAGUE D'ETANCHEIT	DICHTUNGSRING
70	1220	6	ALL FM	DADO AUTOBLOCC.	NUT	ECROU	MUTTER S.B.