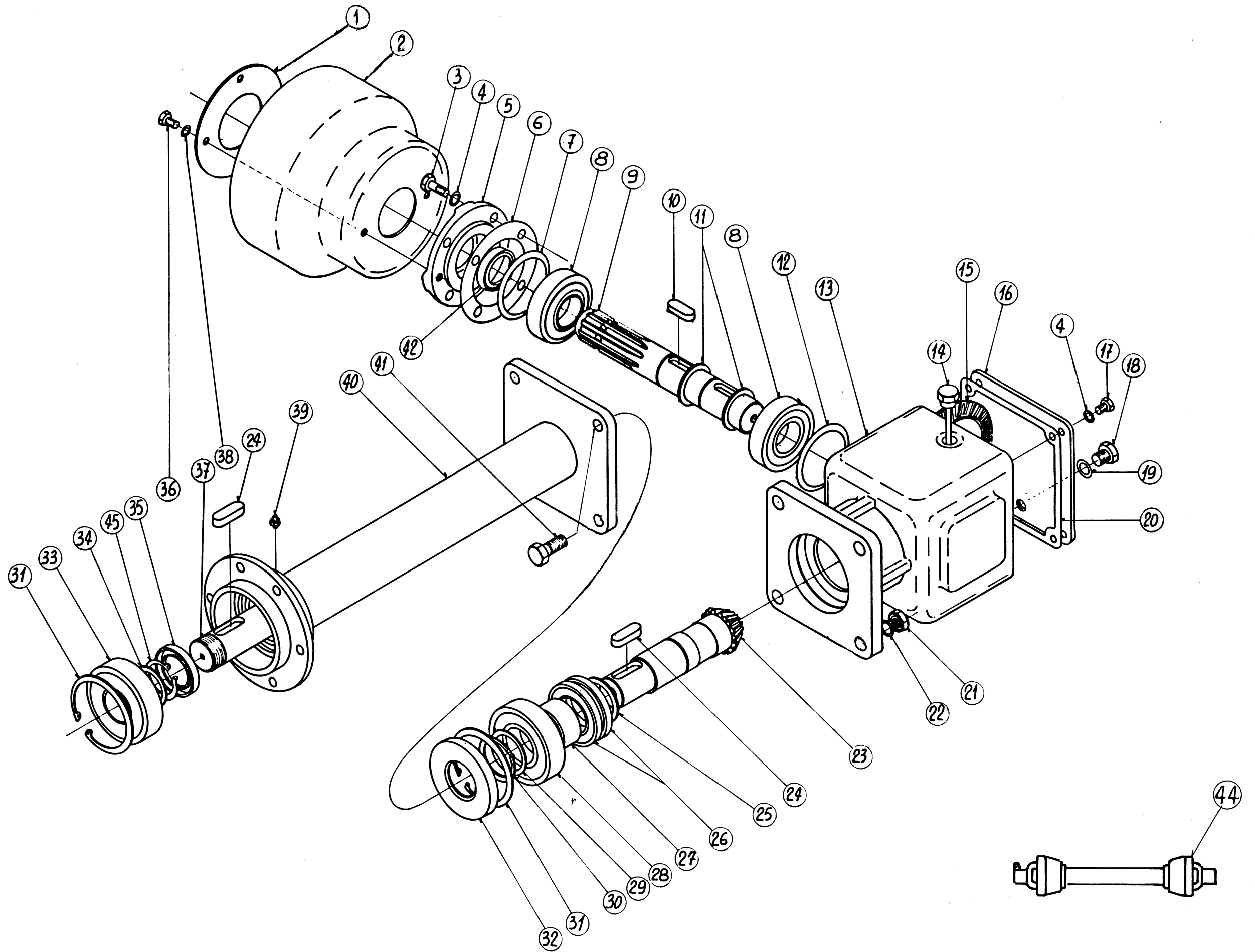


# TL-TM SCATOLA DI TRASMISSIONE - TRANSMISSION BOX

## TRANSMISSION COMPLET - GETRIEBE KOMPLETT



**TL - TM SCATOLA TRASMISSIONE / TRANSMISSION BOX - TRANSMISSION COMPLET - GETRIEBE KOMPLETT**

RIF.	CODE	QTY	TYPE	DESCRIZIONE	DESCRIPTION	DESIGNATION	BESCHREIBUNG
1	59006400	1	TL TM	DISCO	DISK	DISQUE	SCHEIBE
2	59007300	1	TL TM	PROTEZIONE	GUARD	PROTECTION	SCHUTZABDECKUNG
3	1083	4	TL TM	VITE	SCREW	VIS	SCHRAUBE
4	1226	8	TL TM	RONDELLA	WASHER	RONDELLE	U-SCHEIBE
5	59002720	1	TL TM	FLANGIA	COVER	COUVERCLE	FLANSCH
6	59003500	1	TL TM	GUARNIZIONE	GASKET	JOINT	DICHTUNG
7	1799	1	TL TM	RONDELLA PS	WASHER	RONDELLE	U-SCHEIBE PS
8	1579	2	TL TM	CUSCINETTO	BEARING	ROULEMENT	KUGELLAGER
9	F5901500	1	TL TM	ALBERO	SHAFT	ARBRE	WELLE
10	1449	1	TL TM	CHIAVETTA	KEY	CLAVETTE	SCHLÜSSEL
11	10261572	3	TL TM	SEEGER	CIRCLIP	CIRCLIP	SEEGER RING
12	1799	1	TL TM	RONDELLA	WASHER	RONDELLE	U-SCHEIBE
13	10000800	1	TL TM	SCATOLA	BOX	BOITIER	GEHÄUSE
14	1477	1	TL TM	TAPPO SFIATO	PLUG	BOUCHON	ENTLÜFTUNGSSTOPFEN
15	59003100	1	TL TM	CORONA	PINON	PIGNON	RITZEL/KRANZ
16	59002800	1	TL TM	COPERCHIO	COVER	COUVERCLE	ABDECKUNG
17	1490	4	TL TM	VITE	SCREW	VIS	SCHRAUBE
18	1949	1	TL TM	VITE	SCREW	VIS	SCHRAUBE
19	1954	1	TL TM	RONDELLA RAME	WASHER	RONDELLE	U-SCHEIBE (CU)
20	59003400	1	TL TM	GUARNIZIONE	GASKET	JOINT	DICHTUNG
21	1558	2	TL TM	DADO	NUT	ECROU	MUTTER
22	1227	2	TL TM	RONDELLA	WASHER	RONDELLE	U-SCHEIBE
23	59003000	1	TL TM	PIGNONE	PINON	PIGNON	RITZEL
24	1439	2	TL TM	CHIAVETTA	KEY	CLAVETTE	SCHLÜSSEL
25	1432	1	TL TM	RONDELLA	WASHER	RONDELLE	U-SCHEIBE
26	1770	2	TL TM	CUSCINETTO	BEARING	ROULEMENT	KUGELLAGER
27	F1500400	1	TL TM	DISTANZIALE	SPACER	ENTRETOISE	DISTANZSTÜCK
28	1401	1	TL TM	CUSCINETTO	BEARING	ROULEMENT	KUGELLAGER
29	1431	1	TL TM	RONDELLA	WASHER	RONDELLE	U-SCHEIBE
30	1459	1	TL TM	ANELLO SEEGER	CIRCLIP	CIRCLIP	SEEGER-RING
31	1539	2	TL TM	ANELLO SEEGER	CIRCLIP	CIRCLIP	SEEGER-RING
32	1450	1	TL TM	ANELLO TENUTA	OIL SEAL	BAGU E D'ETANCHEITE	DICHTUNGSRING
33	1875	1	TL TM	CUSCINETTO	BEARING	ROULEMENT	KUGELLAGER
34	1568	1	TL TM	RONDELLA	WASHER	RONDELLE	U-SCHEIBE
35	1869	1	TL TM	ANELLO DI TENUTA	OIL SEAL	BAGUE D'ETANCHEITE	DICHTUNGSRING
36	1807	2	TL TM	VITE	SCREW	VIS	SCHRAUBE
37	10000700	1	TL TM	ALBERO TRASM.	TRANSMISSION SHAFT	ARBRE DE TRASM.	ANTRIEBSWELLE
38	1236	2	TL TM	RONDELLA	WASHER	RONDELLE	U-SCHEIBE
39	1234	1	TL TM	INGRASSATORE	FITTING	GRAISSEUR	SCHMIERUNGSBÜCHSE
40	10000400	1	TL TM	TUBO TRASMISSIONE	TRANSMISSION TUBE	TUBE DE TRASMIS.	ANTRIEBSROHR
41	1944	2	TL TM	VITE	SCREW	VIS	SCHRAUBE
42	1451	1	TL TM	ANELLO DI TENUTA	OIL SEAL	BAGUE D'ETANCHEITE	DICHTUNGSRING
43	10001300	1	TL TM	SCATOLA MONTATA SENZA TUBO DI TRAS.	GEAR BOX COMPLET WHITHOUT TRANSMISSION TUBE	BOITIER COMPLET SANS TUBE DE TRAMISSION	GETRIEBE KOMPLETT OHNE ANTRIEBSROHR
44	1883	1	TL TM	CARDANO	PTO-SHAFT	CARDAN	KARDAN
45	1852	1	TL TM (su richiesta)	CARDANO RUOTA LIBERA	PTO-FREE WHEEL	CARDAN ROUG LIBRE	KRADAN FREILAUFRAD
45	1572	1	TL TM	ANELLO SEEGER	CIRCLIP	CIRCLIP	SEEGER-RING